

ALIGNMENT PROCEDURE

No attempt should be made to realign the various circuits until all other causes have been checked, unless the condition is so obvious as to indicate that realignment is necessary. Then proceed as follows:

- 1. Volume Control full on.
- 2. Low range A.C. meter connected across voice coil to indicate output.
- 3. Keep signal generator attenuated so as to maintain 1/2 scale reading on output meter.
- 4. Make certain that dial pointer is exactly on index line (top left side of dial plate) when variable condenser is fully meshed.

MODELS 605 AND 609

Receiver Dial at	Signal Generator	Dummy Antenna	Connect Signal Generator to	Refer to Chassis Layout for Location of Trimmers
1 Full Open	Exactly 456 KC	.1 MF	Control Grid 12SA7 Tube (Top) Rear Section Variable Condenser	Adjust for Maximum Output T1, T2 & T3
2 Exactly 1680 KC	Exactly 1680 KC		Radiating Loop (1/2 meter) 20" from Receiver Loop	Adjust for Maximum Output T4
3 Approx. 1500 KC	Approx. 1500 KC		Radiating Loop (1/2 meter) 20" from Receiver Loop	Adjust for Maximum Output T5
4 Approx. 600 KC	Approx. 600 KC		Radiating Loop (1/2 meter) 20" from Receiver Loop	Check tracking and bend slotted end plate (rear section) of variable if necessary.
5				

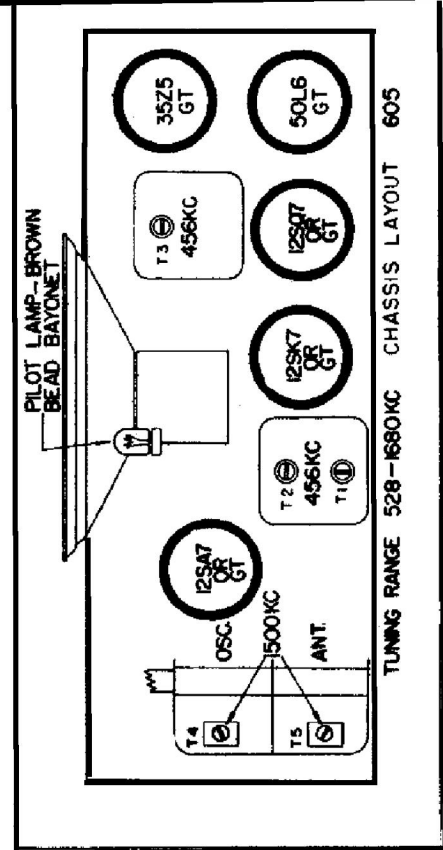
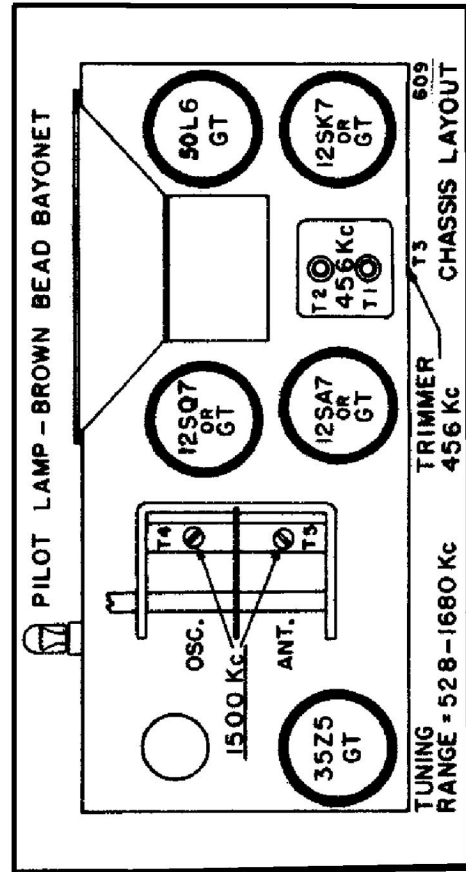
605 SERIES PARTS LIST

Part No.	Description
12.4	Tubular Condenser .005 mf 600 V
12.6	Tubular Condenser .01 mf 400 V
12.9	Tubular Condenser .03 mf 400 V
12.11	Tubular Condenser .05 mf 200 V
12.12	Tubular Condenser .05 mf 400 V
17.5	Mica Condenser 100 mmf ± 10%
17.8	Mica Condenser 250 mmf ± 20%
22.4	3 Section Electrolytic Condenser
27.3	Variable Condenser 30-40-20 mf
37.1	Oscillator Coil 150 W.V.
37.9	Loop Antenna
37.3	Input I.F. Transformer complete
37.11	Output I.F. Transformer complete
52.2	Volume Control w/switch
72.1	Power Cord (Approved)
77.16	Dial Pointer
77.18	Dial Scale (Calibrated)
97.12W	Cabinet—Walnut Bakelite
142.4W	Cabinet Back—Walnut
97.11	Cabinet Knob
107.4	4" P.M. Speaker with Transformer
107.41	4" P.M. Speaker less Transformer
42.1	Speaker Transformer for Above
117.1	30 ohm 1 W Resistor

Courtesy of nucow.com

609 SERIES PARTS LIST

Part No.	Description
12.4	Tubular Condenser .005 mf 600 V
12.8	Tubular Condenser .02 mf 400 V
12.9	Tubular Condenser .03 mf 400 V
12.11	Tubular Condenser .05 mf 200 V
12.12	Tubular Condenser .05 mf 400 V
17.5	Mica Condenser 100 mmf ± 10%
17.8	Mica Condenser 250 mmf ± 20%
22.1	3 Section Electrolytic Condenser
27.1	Variable Condenser 30-40-20 mf
37.1	Oscillator Coil 150 W.V.
37.2	Loop Antenna
37.3	Input I.F. Transformer complete
37.4	Output I.F. Transformer complete
52.1	Volume Control with Switch
72.1	Power Cord (Approved)
77.1	Dial Scale (Calibrated)
77.6	Dial Pointer
77.7	Dial Crystal
97.2W	Cabinet Bakelite—Walnut
97.2V	Cabinet Bakelite—Ivory
97.3	Cabinet Back
142.4W	Cabinet Knobs—Walnut
142.4V	Cabinet Knobs—Ivory
107.2	4" P.M. Speaker with Transformer
107.1	4" P.M. Speaker less Transformer
42.1	Speaker Transformer for above
117.1	30 ohm 1 W. Resistor



FADA Radio

Model 605



AC-DC Superheterodyne Receiver in Fine Bakelite Cabinets

4 Tubes plus Rectifier Tube . . . Offering superb table
model reception . . . sensitive and tone clear.

FADA RADIO & ELECTRIC CO., Inc.

30-20 Thomson Avenue



Long Island City 1, N. Y.

Operating Instructions

These Fada 5 tube superheterodynes are designed to operate on 105-125 Volts, 40 to 60 cycles, alternating current (AC) or 105-125 Volts direct current (DC).

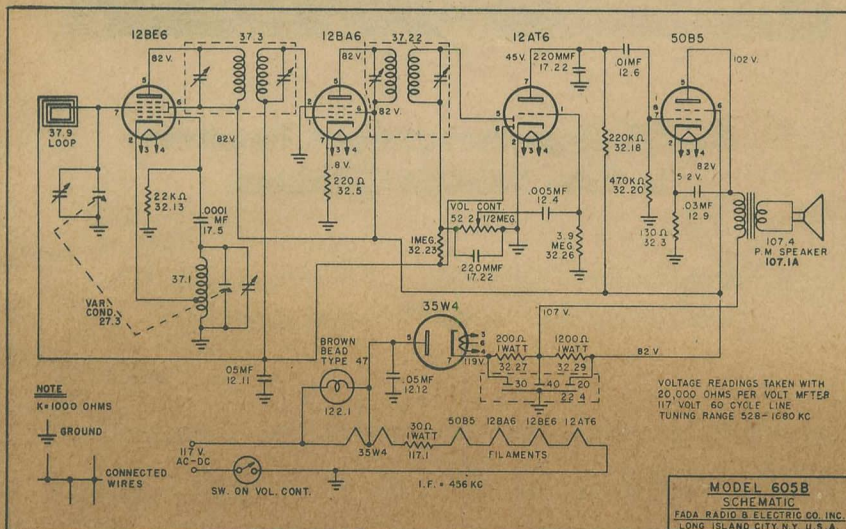
The tuning range 528 to 1680 kilocycles (568 to 178 Meters) covers the new extended broadcast range and the high fidelity stations with sufficient overlap on both ends of the dial.

The built in FA-DA-SCOPE will furnish excellent noise free reception. In locations where reception is difficult due to shielding effects of steel constructed buildings the set should be oriented to the best position.

The two control knobs are from left to right, volume control, switch and vernier tuning. To operate receiver turn volume control knob clockwise and advance about half way and wait for tubes to reach operating temperature. Turn Vernier tuning knob until desired station is selected using dial pointer as guide. Adjust volume to desired level. Rock station selector to tune station in accurately. If receiver fails to operate on D.C., or hums slightly on A.C. reverse plug of powercord in wall outlet.

If pilot light fails to light, replace immediately using type #47 also called Brown Bead (Bayonet Type). When replacing tubes refer to the tube layout label information. Always make sure the tubes are in the proper sockets before using the set.

This FADA receiver has a built in surge arrester to protect and lengthen the life of the tubes.



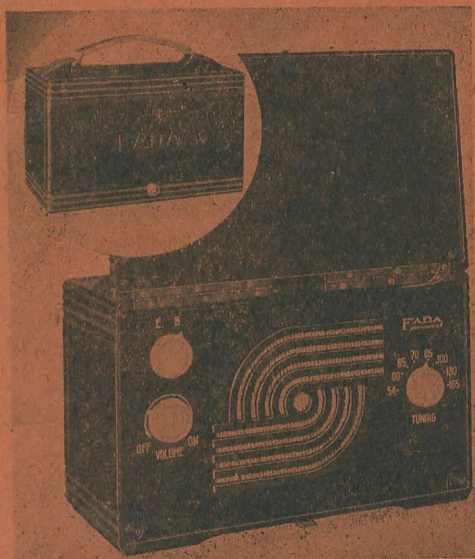
POST CARD

PLACE
ONE CENT
STAMP
HERE

FADA RADIO & ELECTRIC CO., Inc.

525 MAIN STREET

BELLEVILLE, NEW JERSEY



FADA Radio

The last word in . . .

“PERSONAL”
PORTABLES

MODEL P80

Tri-Powered AC-DC
superheterodynes in
gleaming bakelite cabinets

See them!

FADA RADIO GUARANTEE REGISTRY CARD

Purchaser's Name
Last Name First Name

Address

City State.....

Upon receipt of this card your receiver will be registered under our regular 90 day guarantee from date of purchase. Read attached Warranty.

Model..... Serial No..... Date.....

Purchased From

BEND AND TEAR HERE

FADA RADIO GUARANTEE

(Effective only when validated)

The manufacturer guarantees (to the original purchaser) each new FADA Radio Receiver to be free from defects in material and workmanship under normal use and service for a period of 90 days. In the event this receiver is claimed to be defective and is returned by the original purchaser within this 90 day period to the authorized dealer from whom it was purchased it will repair or at its option, replace any defective part providing its examination shall disclose the receiver or any part thereof to have been thus defective; this warranty being expressly in lieu of all other warranties expressed or implied and of all other obligations or liabilities on its part, and the manufacturer neither assumes nor authorizes any person to assume for it any other liability in connection with the sale of its products.

Further, this warranty shall not apply to any radio receiver which shall have been serviced or altered by other than its distributors or authorized dealers in any way so as in the judgment of the manufacturer to affect its stability, nor shall it apply to parts not made or authorized by the manufacturer which have been used for replacement or other purposes, or which have been subject to misuse, negligence or accident.

The manufacturer reserves the right to make improvements, or design changes without imposing any obligation upon itself to install the same upon receivers or parts thereof theretofore manufactured.

To validate this guarantee fill out attached post-card and mail.

FADA RADIO & ELECTRIC COMPANY, Inc.

525 Main Street
BELLEVILLE, N. J.