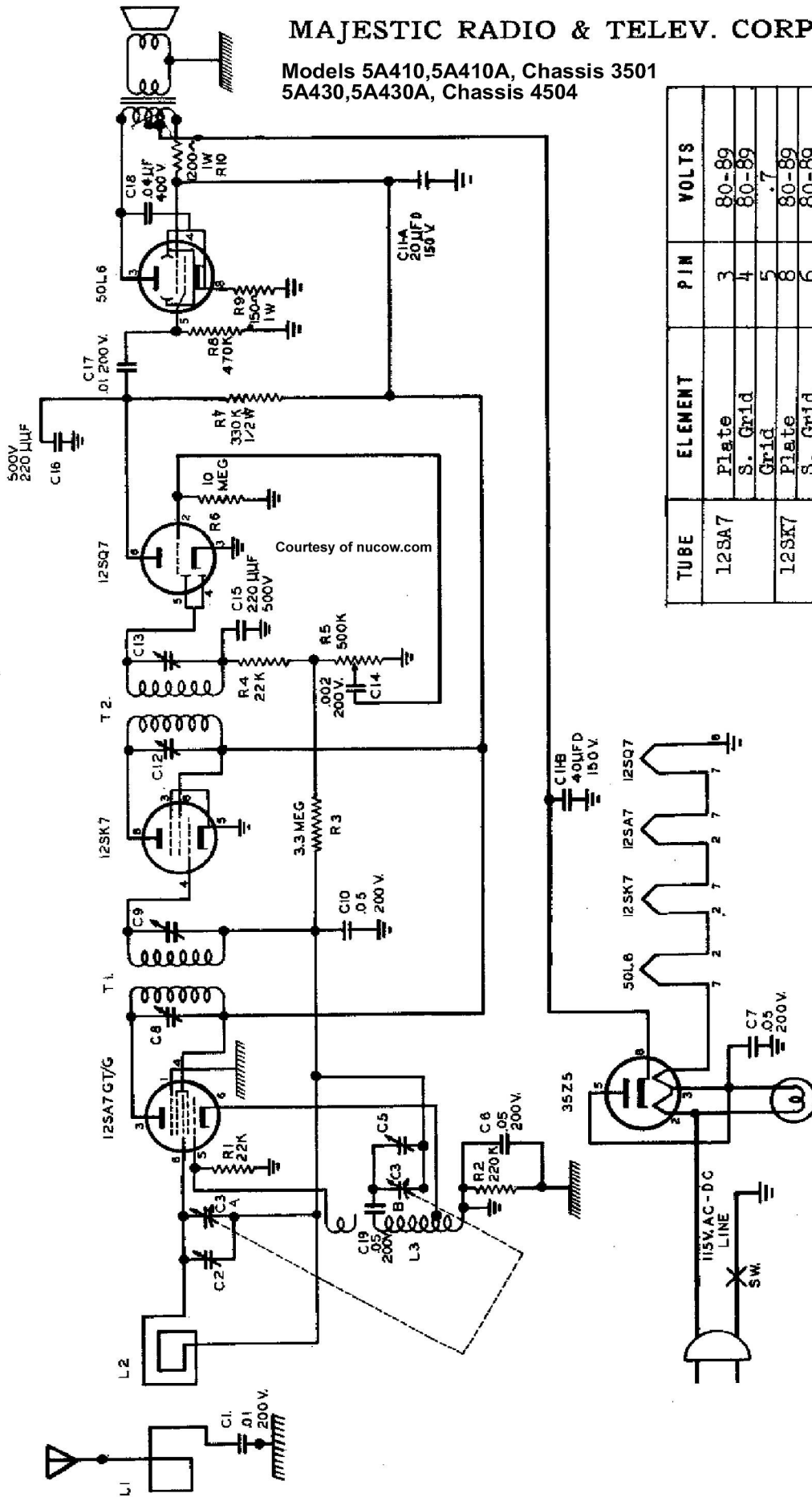


MAJESTIC RADIO & TELEV. CORP

Models 5A410, 5A410A, Chassis 3501
5A430, 5A430A, Chassis 4504



TUBE	ELEMENT	PIN	VOLTS
12SA7	Plate	3	80-89
	S. Grid	4	80-89
	Grid	5	.7
12SK7	Plate	8	80-89
	S. Grid	6	80-89
	Grid	4	.65
12SQ7	Plate	6	55-65
	Grid	2	.8
50L6	Plate	3	110-118
	S. Grid	4	80-89

NOTE: ALL VOLTAGES MEASURED WITH VOLTMETER TO B MINUS (LOW END OF VOL. CONTROL, PIN 8 OF 12SQ7, etc.) LINE VOLTAGE 117 VOLTS; NO SIGNAL, VOLUME CONTROL FULL OFF.

Models 5A410,5A410A Chassis 4501
5A430,5A430A Chassis 4504

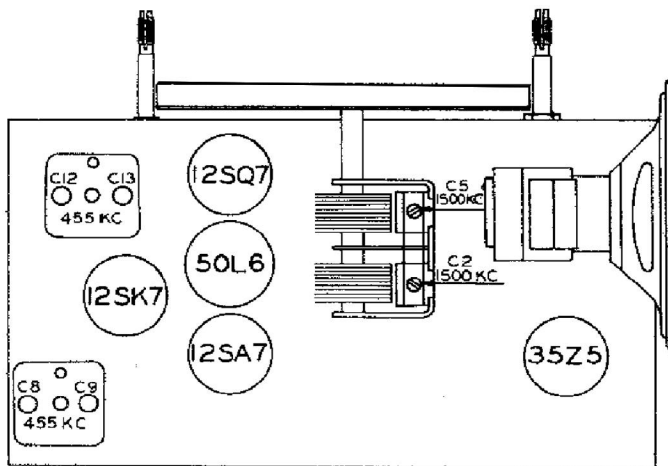
MAJESTIC RADIO & TELEV. CORP.

Before aligning, set the dial pointer as follows: Close the tuning gang condenser (plates fully meshed). Set dial pointer so that its left hand edge is in line with the right hand edge of the last mark at the low frequency end of the dial scale.

While aligning this receiver, turn the volume control full on, and keep the signal generator output as low as possible to prevent AVC action and false readings.

STEP	DUMMY ANT.	TEST OSC. CONNECTION	TEST OSC. FREQUENCY	RECEIVER DIAL	ADJUST	REMARKS	
1	.01 mfd.	12SA7 grid (pin No.5)	455 kc. modulated	Any quiet spot	C13,C12,C9,C8 for max. output	Repeat in reverse order	
2	-----	Loop*	1500 kc. modulated	150	C5 for maximum output		
3	-----	Loop*	1500 kc. modulated	150	C2 for maximum output	Rock gang while adjusting	
4	REPEAT COMPLETE ALIGNMENT PROCEDURE CAREFULLY					Courtesy of nucow.com	

* Make a two or three turn loop about 12 inches in diameter. Connect to output terminals of the signal generator. Place this loop in a plane parallel to the receiver loop antenna and about a foot away from the receiver loop. **IMPORTANT: WHEN MAKING RF. ADJUSTMENTS, THE RECEIVER LOOP ANTENNA MUST BE MOUNTED ON THE CHASSIS EXACTLY AS WHEN THE RECEIVER IS IN THE CABINET.**



TUBE LAYOUT

ITEM	DESCRIPTION	PART NO.
R1,R4	22,000 ohm 20% 1/3 watt	9-184
R2	220,000 ohm 20% 1/3 watt	9-182
R3	3.3 megohm 20% 1/3 watt	9-206
R5	Volume Control with switch	13-14
R6	10 megohm 20% 1/3 watt	9-160
R7	330,000 ohm 20% 1/2 watt	9-89
R8	470,000 ohm 20% 1/3 watt	9-207
R9	150 ohm 20% 1 watt	9-251
R10	1,200 ohm 10% 1 watt	9-216
C1,C17	.01 mfd +20% -10% 200 v	6-112
C2,C3,C5	Ganged Tuning Condenser	7-16
C6	.05mfd +40% -10% 200 v	5-40
C7,C10	.05 mfd +40% -10% 200 v	5-40
C8,C9,		
C12,C13	Trimmer, 135 mmfd, mica	8-46
C11	20-40 mfd 150 v elec-trolytic	19-24
C14	.002 mfd +40% -10% 200 v	5-52
C15,C16	220 mmfd 20% 500 v mica	6-151
C18	.04 mfd +20% -10% 400 v	5-58
C19	.05 mfd + 40% - 10% 200 v	5-40
T1	1st IF Transformer	3-116
T2	2nd IF Transformer	3-117
L3	Oscillator Coil Assembly	3-158
	Speaker	22-12
	Dial Glass	117-30
	Dial Cord Tension Spring	129-29
	Dial Pointer	135-5
	MODEL 5A410	
	Cabinet, walnut	116-1
	Cabinet, white	116-2
	Loop antenna & back cover	20-7
	Knobs, walnut	128-23
	Knobs, black	128-25
	MODEL 5A430	
	Cabinet	115-6
	Loop antenna & back cover	20-17
	Knobs	128-32